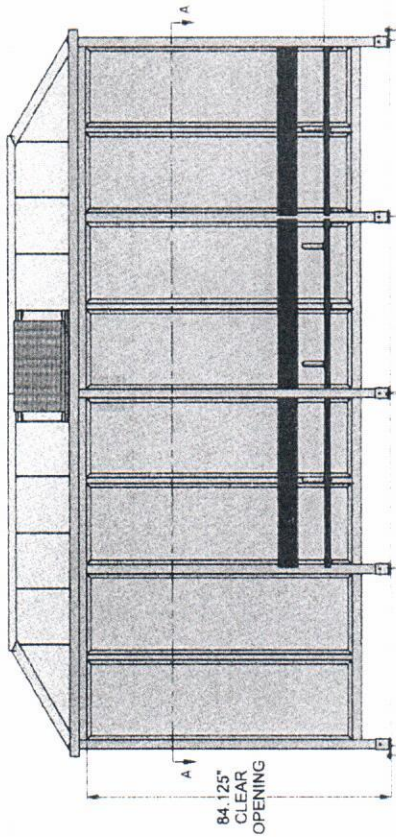
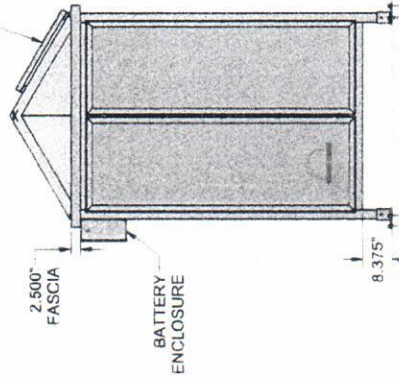


SOLAR PANEL

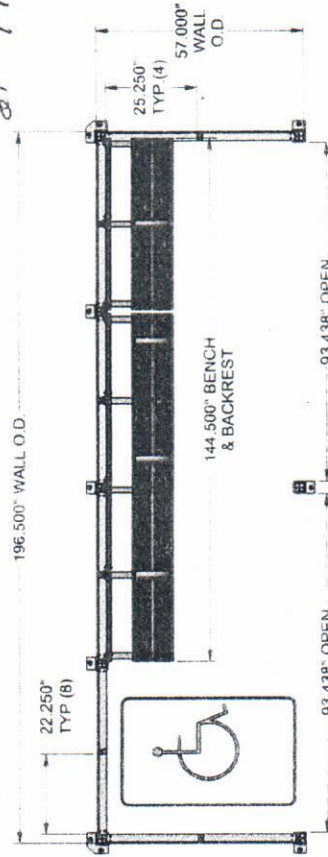


18.500\"/>

SIDE ELEVATION

FRONT ELEVATION

*(6) units to be installed
at TPP for*



SECTION A-A

QUANTITY (6) SHELTERS THUS

SPECIFICATIONS:

- RAL9017 TRAFFIC BLACK POWDER COATED ALUMINUM STRUCTURE
- 1/4\"/>

THIS DRAWING IS CONFIDENTIAL AND IS FOR THE SOLE USE OF YOUR CUSTOMERS AND MAY NOT BE REPRODUCED OR COPIED WITHOUT WRITTEN PERMISSION FROM BRASCO INTERNATIONAL. LEAD TIME BEGINS UPON RECEIPT OF BIDDING APPROVAL.

PROJECT NO.	HAUS	BDH
DATE	5-29-18	5-29-18
REV.	001	A

GRTC TRANSIT
SLIMLINE STYLE TRANSIT SHELTER
SL-05-16-OF-F14-GC-SSHP

BRASCO INTERNATIONAL INC.
2225 W. 10TH AVENUE, SUITE 100
DENVER, CO 80202
TEL: 303.733.7667 WWW.BRASCO.COM



THIS DRAWING IS CONFIDENTIAL AND IS FOR THE SOLE USE OF YOUR CUSTOMERS AND MAY NOT BE REPRODUCED OR COPIED WITHOUT WRITTEN PERMISSION FROM BRASCO INTERNATIONAL.