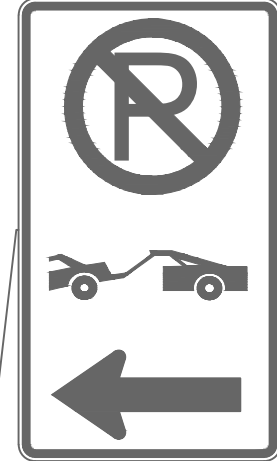


KICKERS BUILDING LLC  
TAX PARCEL: W0001036029  
2318 W MAIN ST



REMOVE EXST 1-POST SIGN STRUCTURE.

MOYERS86 LLC  
TAX PARCEL: W0001038031  
1 N STAFFORD AVE

GRTC BUS STOP #1649 TO BE RELOCATED BY GRTC DOWNSTREAM OF THE INTERSECTION

N. STAFFORD AVE.

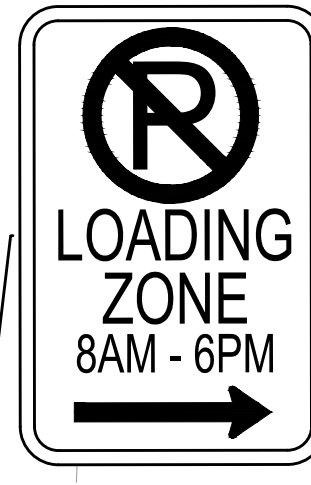
2400 W Main Street Llc  
TAX PARCEL: W0001078020  
2400 W MAIN ST

2402 W MAIN STREET LLC  
TAX PARCEL: W0001078021  
2402 W MAIN ST

SANTOS ANTONIO AND JOANN AND CHRISTINA AND PAUL  
TAX PARCEL: W0001078022  
2404 W MAIN ST

WOOD JONATHAN C AND KATHRYN A  
TAX PARCEL: W0001078023  
2406 W MAIN ST

VIRGINIA COMMONWEALTH INVESTMENTS LLC  
TAX PARCEL: W0001078024  
2408 W MAIN ST



INSTALL LOADING ZONE SIGN R6-1R MOD ON PROP SQUARE TUBE SIGN POST (STP-1).

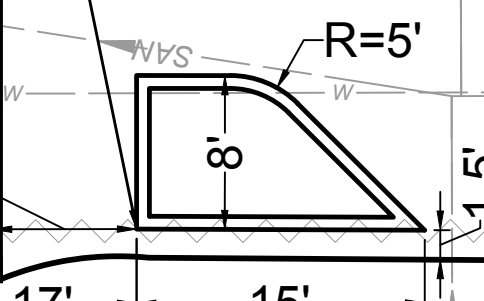
REMOVE EXST 1-POST SIGN STRUCTURE. GRTC BUS STOP #1649 TO BE RELOCATED BY GRTC 80' FROM DOWNSTREAM CROSSWALK

REMOVE EXST 1-POST SIGN STRUCTURE.

85.5' PARKING RESTRICTION REMOVED

W. MAIN ST.

CORNER OF CURB SHALL ALIGN WITH EASTERN EXTENT OF DRAINAGE INLET GUTTER PAN



S. STAFFORD AVE.

2401 WEST MAIN STREET LLC C/O QUINTESSENTIAL MANAGEMENT INC  
TAX PARCEL: W0001078015  
2401 W MAIN ST

1525 N COMMERCE AVENUE LLC  
TAX PARCEL: W0001076013  
2403 W MAIN ST

MAINY THERAPISTS LLC  
TAX PARCEL: W0001078011  
2407 W MAIN ST

50% DESIGN PLANS  
NOT FOR CONSTRUCTION

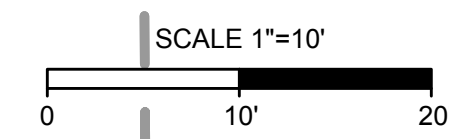
Timmons Group  
Richmond, Virginia  
TRAFFIC ENGINEER

DRAWN BY: C. CAMPBELL  
DESIGNED BY: J. STRUNK  
CHECKED BY: D. SORIANO



MAIN STREET PEDESTRIAN CURB EXTENSIONS - PHASE 1  
W. MAIN ST. & STAFFORD AVE.  
DESIGN PLAN

|             |          |             |
|-------------|----------|-------------|
| DATE        | SCALE    | DRAWING NO. |
| 03/25/2024  | 1"=10'   | 0-XXXX      |
| PROJECT NO. | FILE NO. | SHEET NO.   |
| xxxxxx      |          | 05          |



BASE MAPPING IS COMPILED OF CITY GIS MAPPING DATA. DIMENSIONS SHOWN WERE MEASURED IN THE FIELD WITH A 12"-DIAMETER WHEEL IN SEPTEMBER - OCTOBER 2023.

|           |                  |
|-----------|------------------|
| PLAN NO.  | DATE             |
|           | 3/25/2024        |
| BY        | CITY OF RICHMOND |
| DESIGNED  | TIMMONS GROUP    |
| CHECKED   | CITY OF RICHMOND |
| DATE      |                  |
| 3/25/2024 |                  |
| BY        | TIMMONS GROUP    |
| CHECKED   | CITY OF RICHMOND |
| DATE      |                  |
| 3/25/2024 |                  |
| BY        | TIMMONS GROUP    |
| CHECKED   | CITY OF RICHMOND |
| DATE      |                  |
| 3/25/2024 |                  |